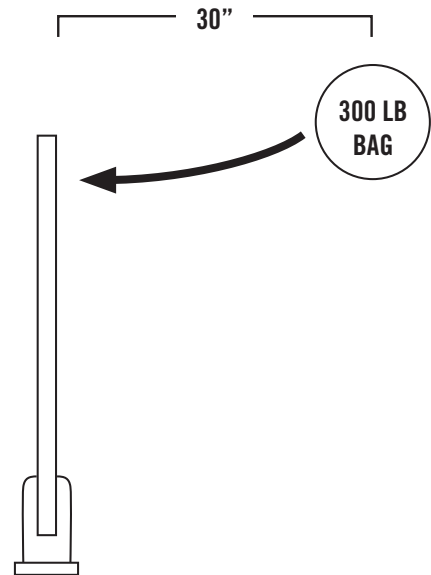
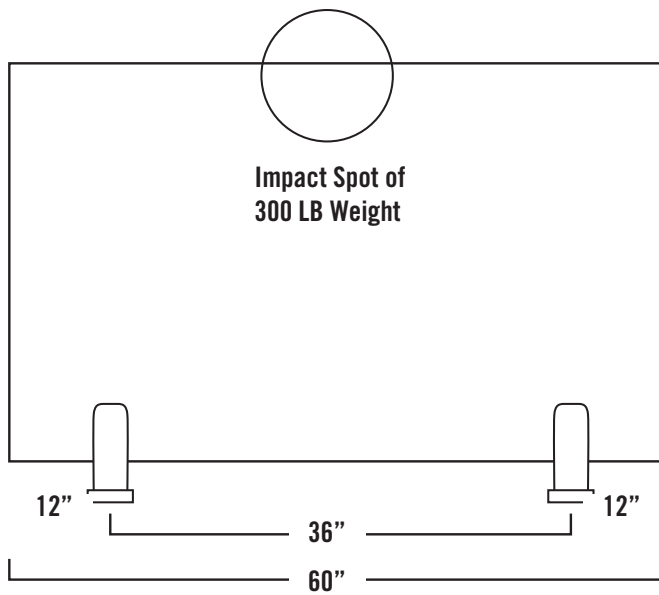




ClearView
GLASS RAILINGS

300 LB IMPACT TEST

This is an impact test of 5' x 39.37" x 1/2" thick ClearView Glass Railings tempered glass panel mounted in two 316 solid core stainless steel spigots. Spigots are centered on glass 35" apart, 12" from end of glass. Plastic bags are weighted with 300 lbs of media, pulled back 30" from CVGR glass panel and then released to free fall to impact the top center of the CVGR panel. There is no damage or failure of the CVGR glass panel or spigots from this 300 lb impact.



VIDEO STILLS

