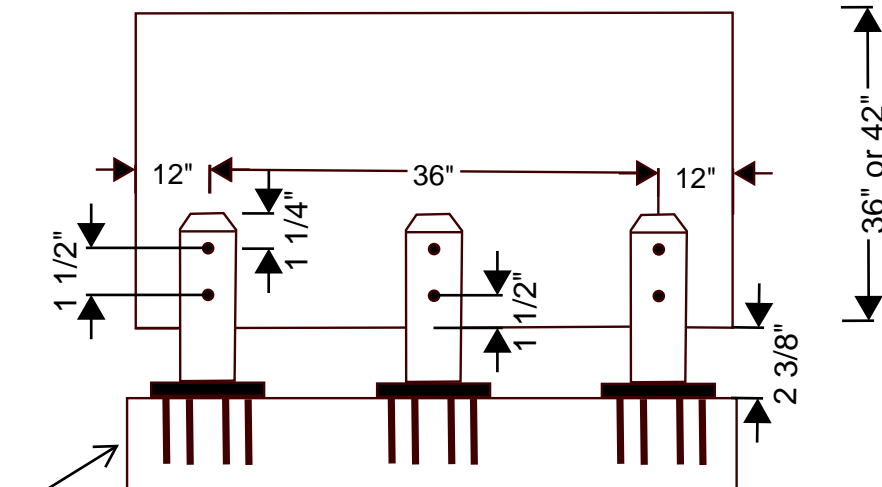


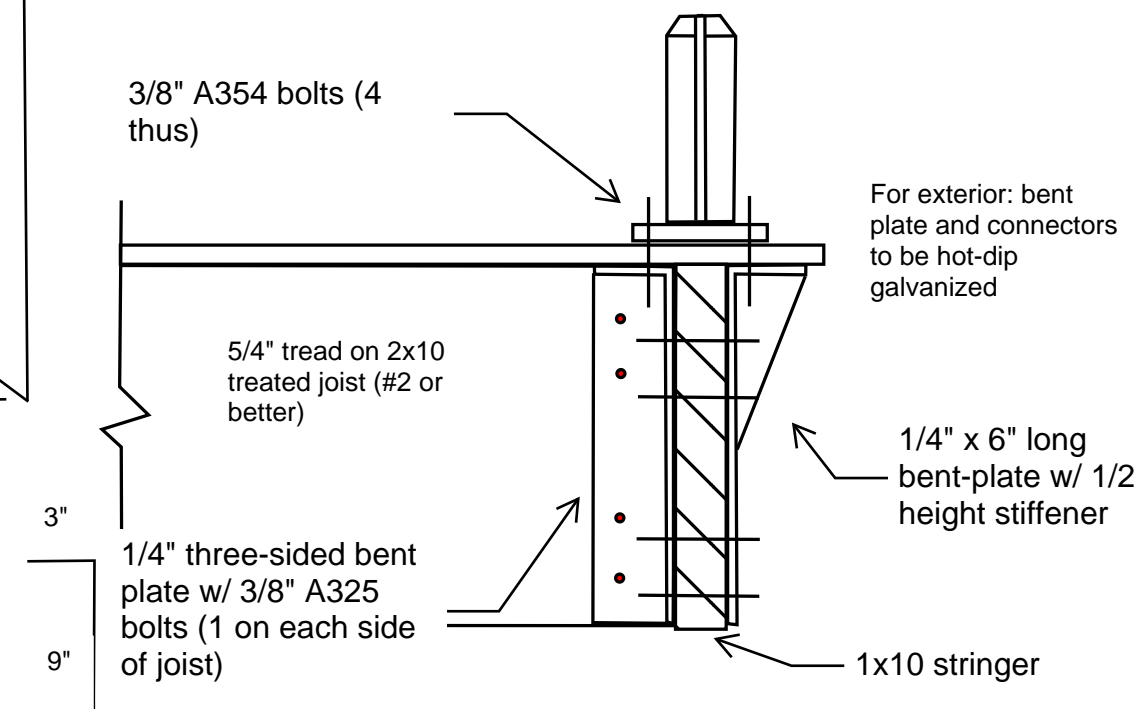
SPIGOT CONNECTION TO GLASS



Connection to base material varies.

| | |
|--|---|
| Part Number | CVGR 316 SSOD48-180 Satin Finish |
| Product Name | Round Deck Mount Spigot |
| Spigot Size | 1.9" diameter x 7.1" tall |
| Spigot Weight | 5.5 pounds |
| Glass Thickness/ Dimensions/Weight (per panel) | 13.5 mm/60" wide x 39.37" tall/ 98.5 pounds |
| Accessories Included | Base Cover, Rubber Gasket |

CONNECTION TO STAIR STRINGER



GENERAL NOTES:

1. THIS GUARDRAIL SYSTEM IS IN COMPLIANCE WITH THE 2014 AND 2017 FLORIDA BUILDING CODE SECTION 1607.8. IT IS ALSO IN ACCORDANCE WITH 2015 IBC SECTION 2407 THAT REQUIRES ALL-GLASS HANDRAILS AND GUARDS BE "LAMINATED GLASS CONSTRUCTED OF FULLY TEMPERED OR HEAT-TREATED GLASS". IT IS ALSO IN COMPLIANCE WITH 2015 IBC 2407.1.1 THAT STATES "A DESIGN FACTOR OF FOUR SHALL BE USED FOR SAFETY". THIS INCREASES THE LOADING REQUIREMENTS TO:
- 800# HORIZONTAL OR VERTICAL POINT LOAD AT TOP OF RAIL (NOT SIMULTANEOUS).
- 200 POINTS PER FOOT LINE LOAD, HORIZONTAL OR VERTICAL, AT TOP OF RAIL (NOT SIMULTANEOUS).
2. THIS PRODUCT HAS BEEN DESIGNED TO COMPLY WITH THE REQUIREMENTS OF THE F.B.C. FOR HIGH VELOCITY HURRICANE ZONE (HVHZ).
3. SPIGOTS TO BE 316 STAINLESS STEEL.
4. CONNECTION TO BUILDING VARY BY PROJECT, TO BE DESIGNED BY PROJECT ENGINEER. CONNECTION TO WOOD STAIR STRINGER IS DESIGNED AND SHOWN HEREIN.
5. THE ABILITY OF THE EXISTING HOST STRUCTURE TO SAFELY SUPPORT THE LODS SHALL BE DETERMINED BY THE PROJECT ENGINEER.
6. MECHANICAL FASTENERS, AS SHOWN.

FOR ORDERING PLEASE CALL (612) 940-9946 OR EMAIL John@CVGRailings.com

| | |
|--|--|
| Chris Hartnett & Associates Preservation Engineers 521 S. 9th St. #2 Minneapolis, MN 55404 | |
| Revisions | |
| date | |
| # | |
| Project # | Scale |
| Project: CLEAR VIEW GLASS RAIL | Address: 737 QUENTIN AVE S. LAKELAND, MN 55403 |
| Signature | |
| Sheet X of X | |